

# delmatic metro six six module

The **six six** module provides flexible addressable control of single & three-phase lighting and power circuits.

The module accepts up to six incoming circuits and is equipped with six addressed relays providing individual switching of up to six 20A outputs. Each output may control lighting or power and any relay may be configured to operate as an emergency test output.

The **six six** module incorporates distributed intelligence, non-volatile memory (which stores operational parameters) and contains mechanically-latched relays which remain in their last state in the event of control failure: fascia override switches enable manual on/off override of each relay output.

The module comprises a fully-assembled unit: the robust enclosure contains a mother board with terminals for live, neutral & earth cables, bus & local switch connections, and accepting a plug-in intelligent Lon capsule (for seamless interoperability with other building services).

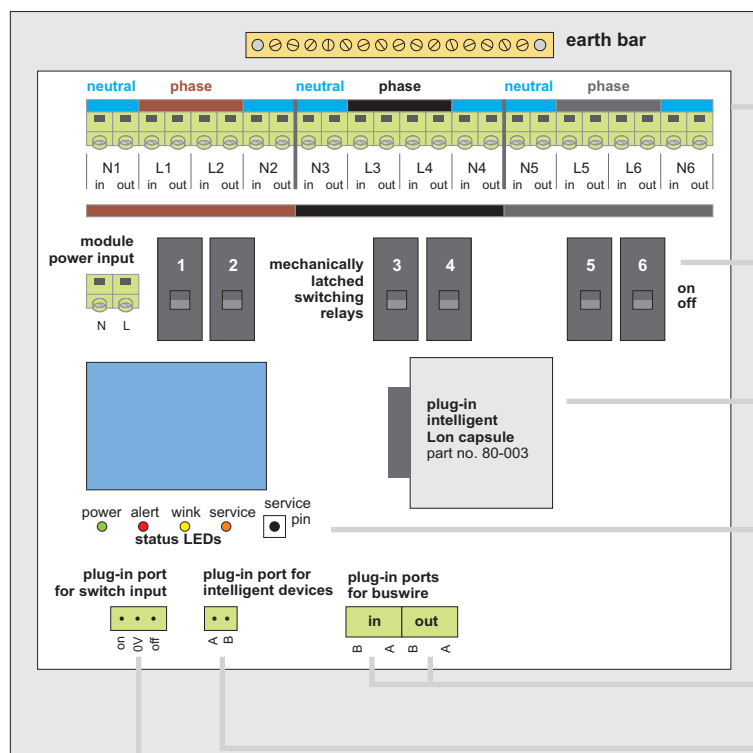


## metro six six - switching

product ref: **210A1**

Provides six 20A switched outputs.

## module features



robust, painted, galvanised steel **enclosure** with **keyhole fixing** for ease of mounting and quick-lock lid

**mains termination zone** for connection of incoming circuit Live & Neutral cables, and Neutral & Switched Live outputs to luminaires

**six 20A mechanically-latched relays** with on/off status indication and manual override - in the event of electronics failure relays maintain their last state and may be manually operated on and off from **override switches** accessible through the module lid

**plug-in intelligent Lon capsule** (80-003) provides distributed intelligence, stores module operational parameters and enables seamless integration with other Lon devices

**diagnostic/status LEDs and service pin**  
 Power LED indicates 240V present  
 Alert LED indicates fault condition  
 Wink LED verifies comms - normally unlit  
 Service LED flashes in fault mode  
 Service Pin uploads module address

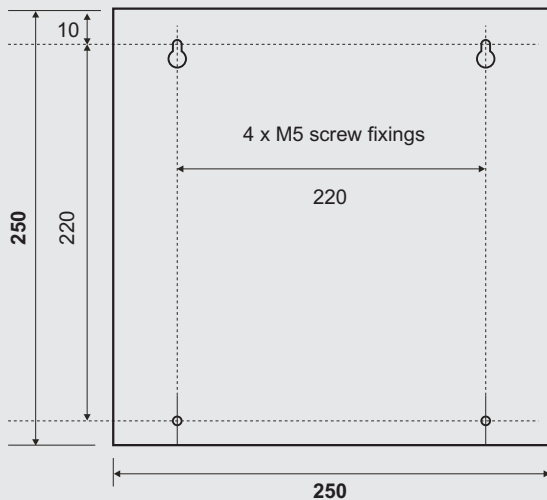
**bus terminals** - plug-in terminals for two core Lon bus (polarity insensitive)  
 module supplied with two plugs ref. 91041

**intelligent device input** for connection of two core cable to devices including switches and sensors  
 module supplied with two-pin plug ref. 91042

**switch input terminal** for three core cable (on, off, common) from retractive switch  
 module supplied with three-pin plug ref. 91043

# delmatic metro six six module

## mounting, installation and dimensions



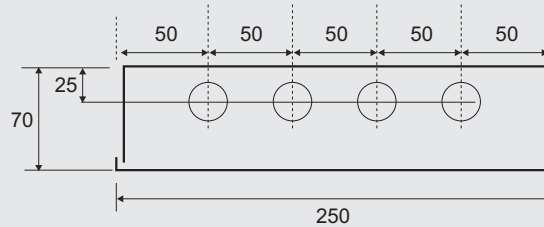
The module should be installed in an accessible location, ideally at a height of 1.5m from floor level.

The back box is mounted using four M5 screw fixings: the top two holes use keyhole fixings for ease of installation.

When mounting adjacent boxes leave 6mm fixing clearance.

### All dimensions in millimetres.

Top and bottom sides contain 4 x 25mm conduit entry knockouts.



## technical details

### mains input

six 220-240V~50/60 Hz x 20 Amp single / three phase circuits - terminals accept 2 x 4 sq.mm cables

### module power

module electronics powered from separate terminals: power may be taken from one of the incoming circuits

### mains outputs

six individually addressed switched outputs via mechanically latched relay with status indication & manual override: loading per circuit 20A. terminals accept 2 x 4 sq.mm cables

### local switch inputs

- switch input: module accepts connection of one standard momentary-action switch.
- smart switch input: module accepts connection of up to six smart switches and sensors on common bus cable.
- smart bus plug-in terminal block accepts max 1 sq.mm cable. - smart bus cable maximum length - 100m.

### Lon bus inputs

2 plug-in ports for two-core Lon bus connection - terminals accept 1.5 sq.mm cable.

### buswire specification

**330 V rms** - twisted pair Belden 7701NH unshielded 22 AWG stranded

**600 V rms** - twisted pair Belcom 4001P22S54LSZH unshielded 22 AWG solid

### dimensions (mm)

**250 w x 250 h x 70 d**

### construction

painted galvanised steel enclosure & lid to IP50 finished in RAL 7035 50% gloss

### ambient temperature / relative humidity

0 to +50°C / 20% to 90% no condensation

### Lon specifications

Echelon LonWorks FT 5000 Smart Transceiver  
FTX3 free topology communications transformer  
64k EEPROM

Conforms to LonMark 3.4 guidelines and profiles

6 switch objects #3200

6 open loop actuator objects #0003

6 occupancy sensor objects #1060

6 occupancy controller objects #3071

1 light sensor object #1010

1 light controller object #3050

